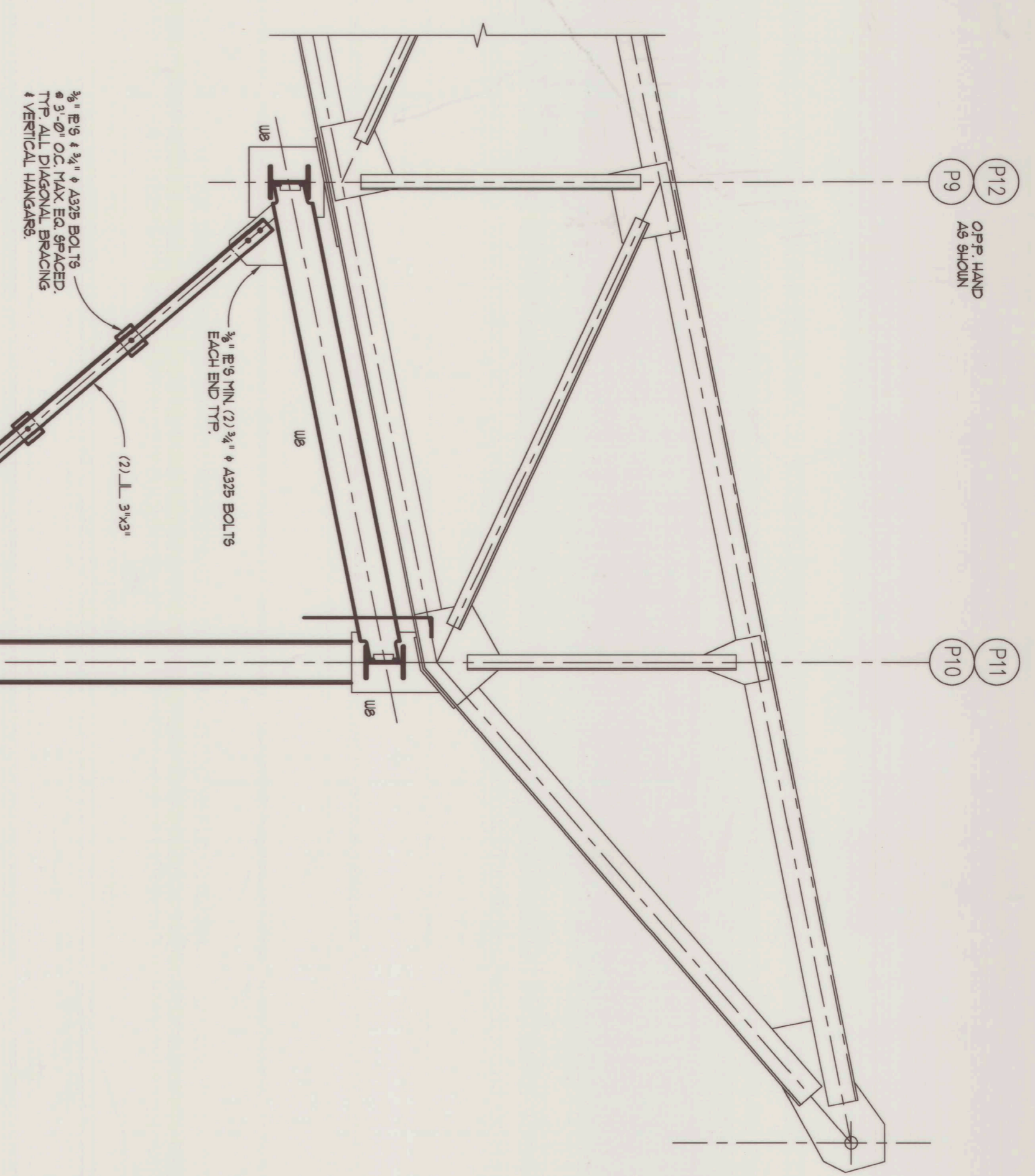
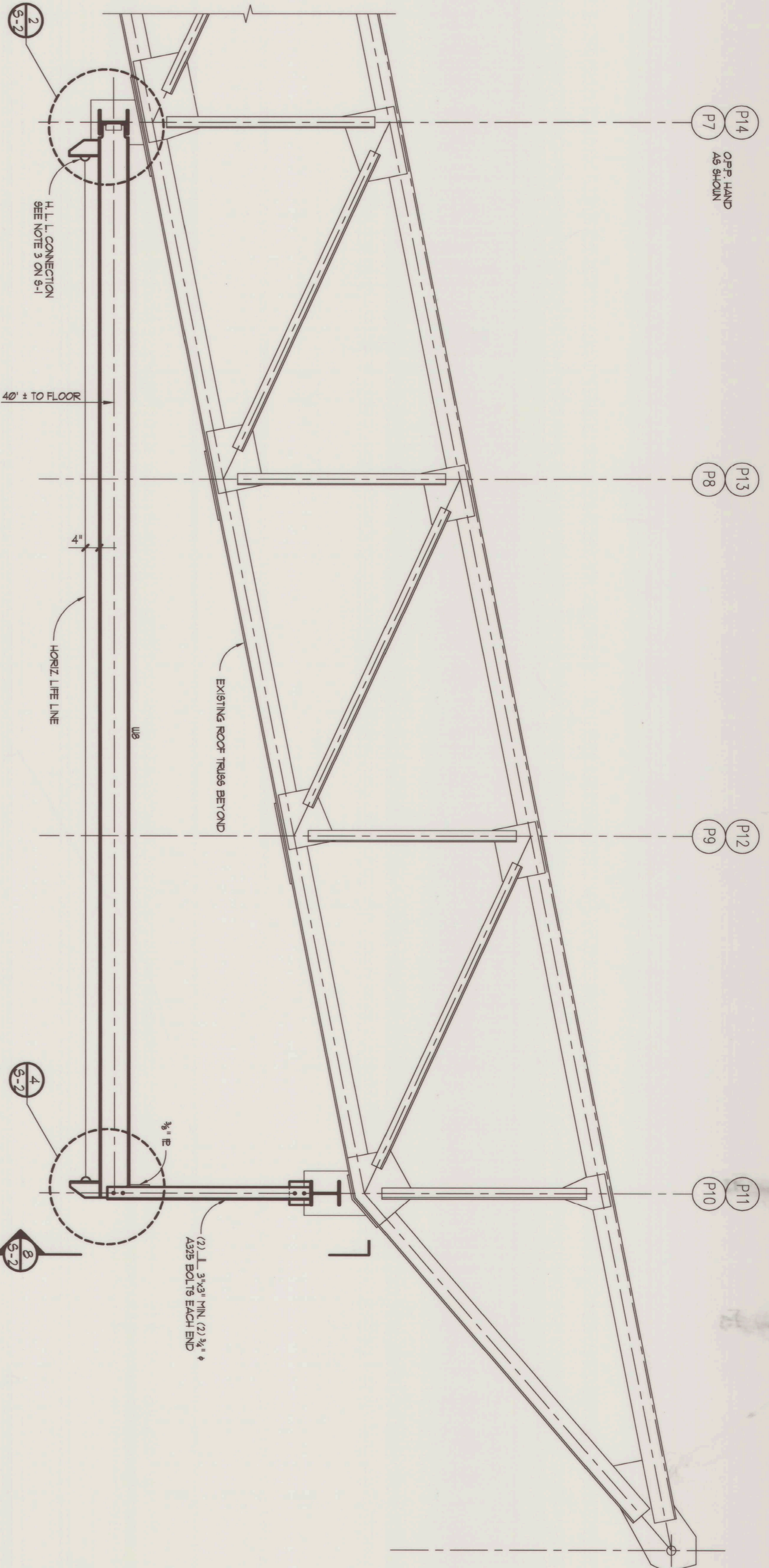


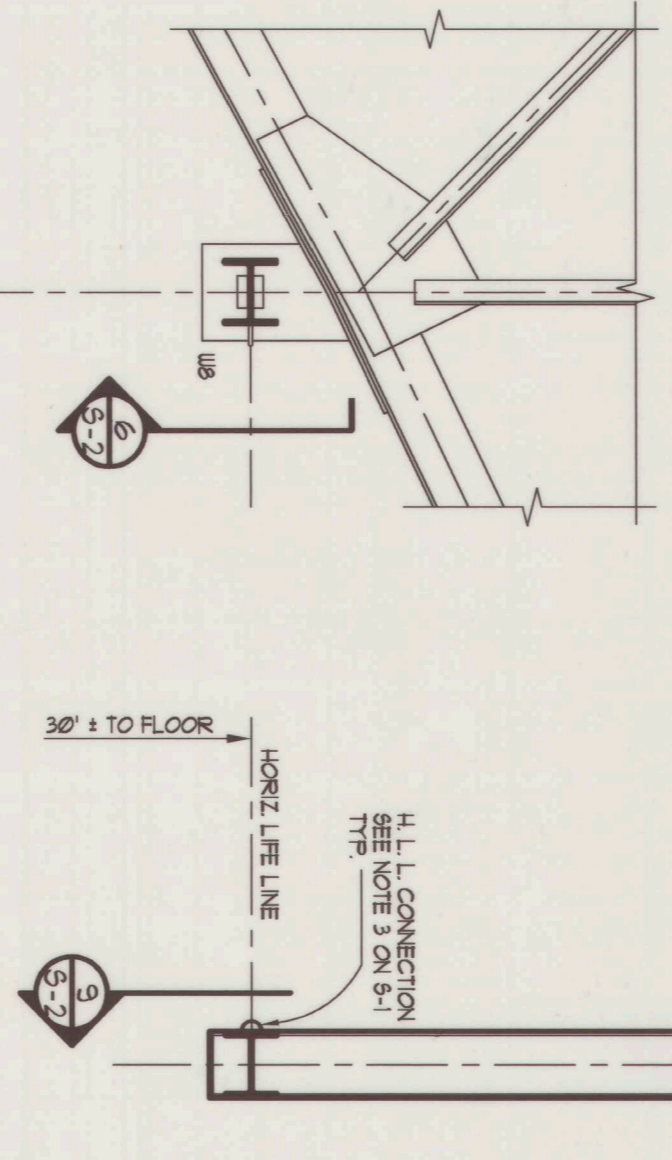
REV.	DESCRIPTION	PREP'D. BY	DATE	APP'D.



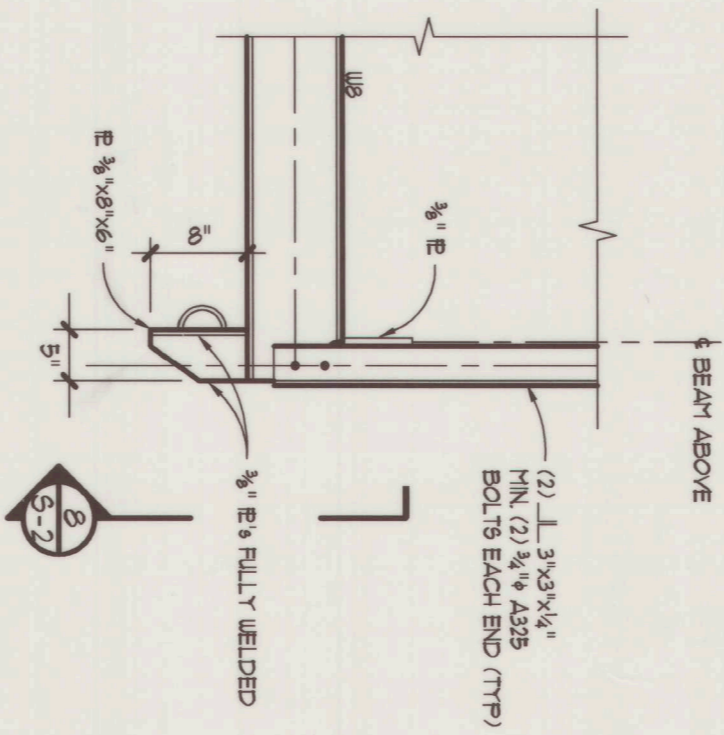
1 SECTION  
SCALE: 1/4" = 1'-0"



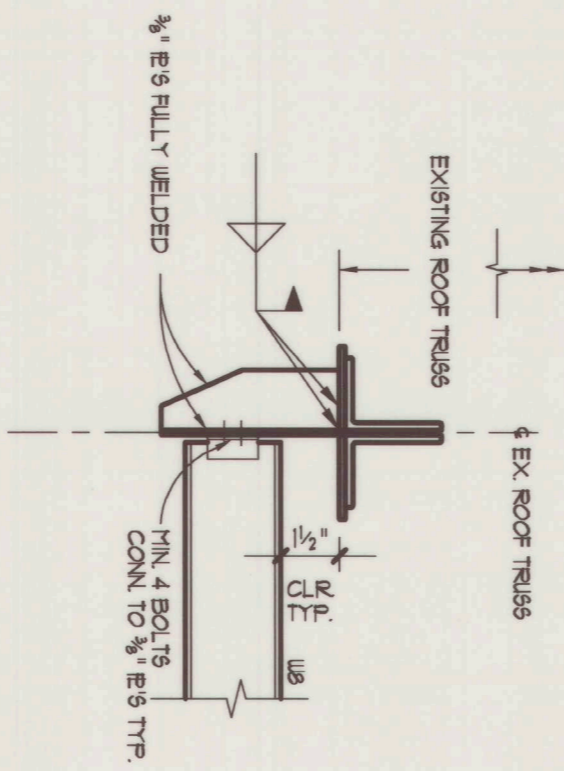
2 SECTION  
SCALE: 1/4" = 1'-0"



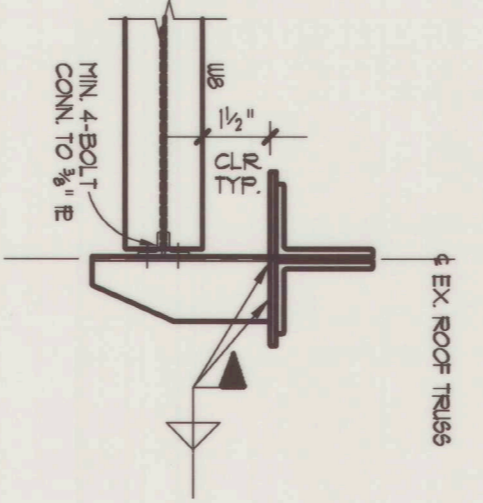
3 SECTION  
SCALE: 1/4" = 1'-0"



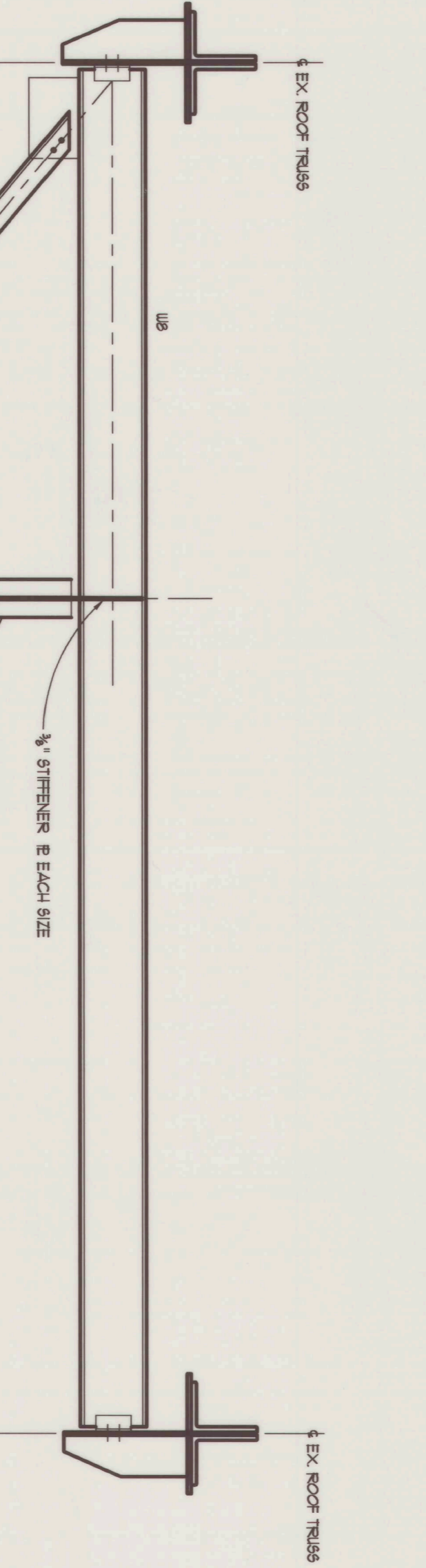
4 SECTION  
SCALE: 1/4" = 1'-0"



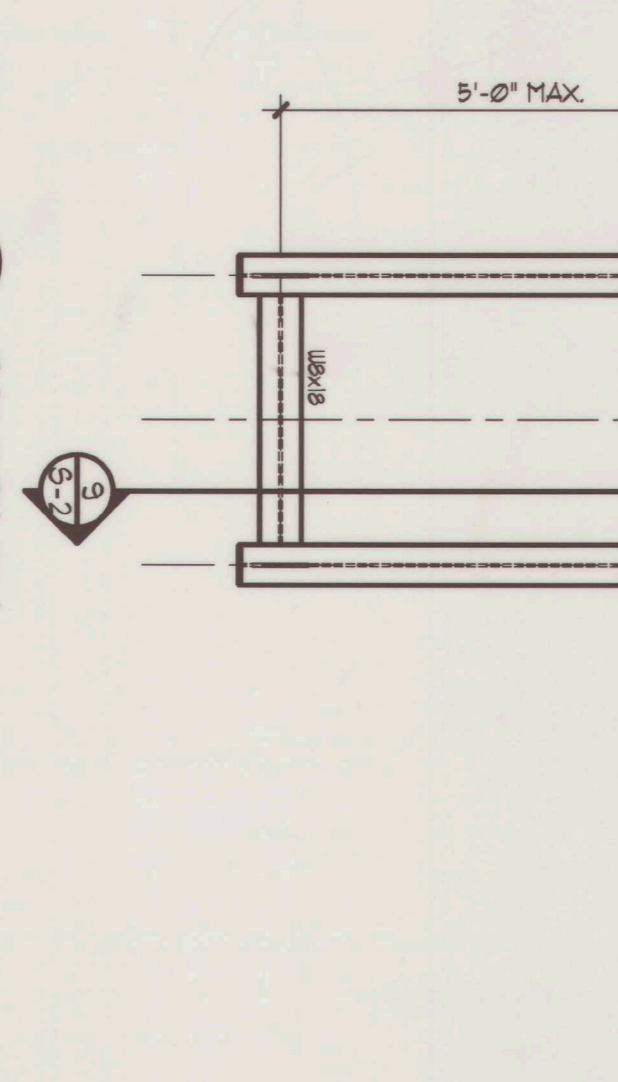
5 TYPICAL DETAIL  
SCALE: 1/4" = 1'-0"



6 TYPICAL DETAIL  
SCALE: 1/4" = 1'-0"



7 SECTION  
SCALE: 1/4" = 1'-0"



8 SECTION  
SCALE: 1/4" = 1'-0"

<b>GILLAN &amp; HARTMANN, INC.</b> P. O. BOX 345 VALLEY FORGE, PA. 19481		<b>STRUCTURES, INC.</b> P.O. BOX 189 1000 W. MARKET STREET, SUITE 114 PHILADELPHIA, PA. 19104-1891 PHONE: 215-261-4811 FAX: 215-261-8814	
DESIGNER	JFK	DATE	12-15-97
CHECKER	JLB	TITLE	WILLOW GROVE AIR RESERVE FACILITY PENNSYLVANIA
ENGINEER	JLB	PROJECT	NEW FALL PROTECTION SYSTEM, HANGAR 201 SECTIONS & TYPICAL DETAILS
A.F. PROJECT ENGR.		CONTRACT NO.	
A.F. DESIGN ACTIVITY AUTHENTICATION		SIZE	A.F. CODE IDENT. NO. DRAWING NO.
BASE CIVIL ENGINEER		SCALE	F ZAWA95-0020
		SPEC	CONSTR. CONTR. NO. S-2
			SHEET 2 OF 2